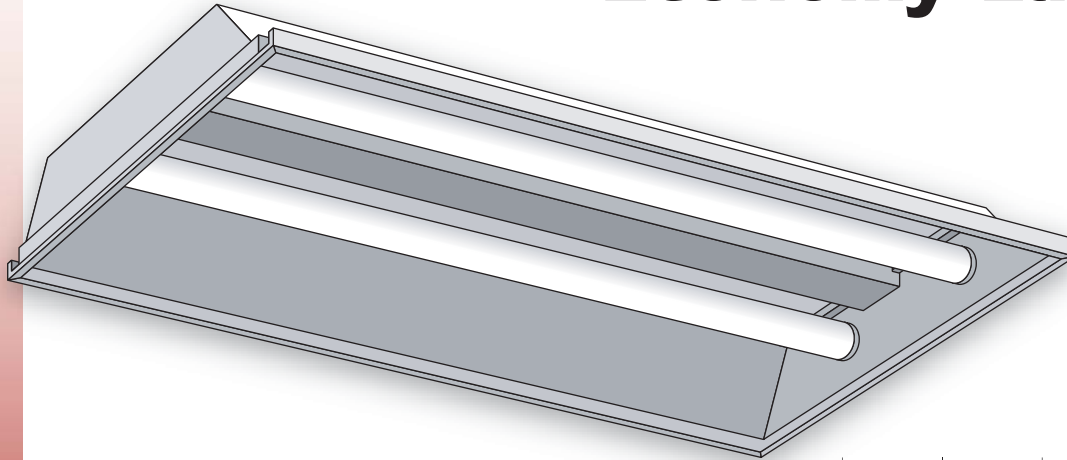


EL Standard Economy Lay-in



GENERAL DESCRIPTION

Recessed lay-in 2 x 2 and 2 x 4 housings for use with prismatic lenses or celled louvers in exposed T-bar ceilings. The body is the same shape for 2 x 2 and 2 x 4 units.

SPECIFICATIONS

Housing: 3-3/4" deep. Die-formed standard or 20-gauge steel with rounded side flanges for safe handling. Embossed for maximum rigidity. Four corner tie points for safety wire supports.

Ends: Snap into housing and can be additionally secured with #8 x 3/8" screw or 1/8" pop rivet with 1/8" to 3/16" grip (not included). Same ends fit 2 x 2 and 2 x 4.

Socket Plate: Snap-in type, available in 2, 3, 4 and U-lamp. Four-light and U-lamp use the same plate. Sockets are tilted forward to provide positive spring action contact with lamps. Same socket plates fit 2 x 2 and 2 x 4.

Ballast Cover: Snaps in without tools for easy installation.

Access Plate: Snaps in for simple ballast lead hook-up without removing door or ballast cover.

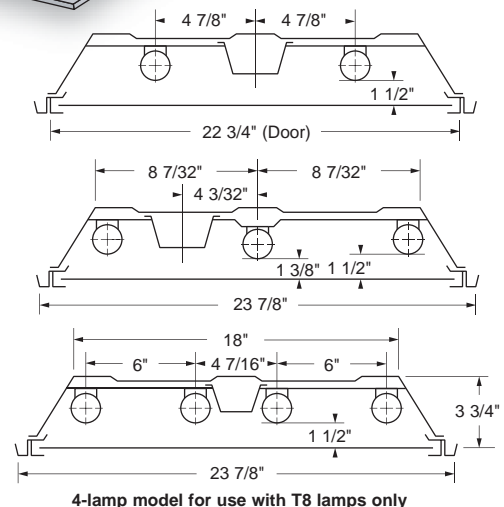
Door Frame: Available in flush steel. Hinges on end from either side of housing and is secured by a rotary cam latch (sold separately). See separate listing for door specifications.

Finish: White polyester polymer with a minimum of 82% reflectivity.

Diffusers (not included): Prismatic lenses and all types of louvers will easily fit door frame. See separate listing on door specifications.

NOTES

Dimensions subject to change without notice. This product is an OEM Component Kit requiring final assembly by a qualified OEM fixture manufacturer.



Catalog No.	Lamps	Type
EL-2x2-20-2	2 Bi-pin	2x2, 20-gauge
EL-2x2-20-2BIAX	2 Bi-ax	2x2, 20-gauge
EL-2x2-20-2U	2 6" U	2x2, 20-gauge
EL-2x2-20-2UOC	2 Octron U	2x2, 20-gauge
EL-2x2-20-3	3 Bi-pin	2x2, 20-gauge
EL-2x2-20-3BIAX	3 Bi-ax	2x2, 20-gauge
EL-2x2-20-3UOC	3 Octron U	2x2, 20-gauge
EL-2x2-20-4	4 T8 Bi-pin	2x2, 20-gauge
EL-2x2-23-2	2 Bi-pin	2x2, 23-gauge
EL-2x2-23-2BIAX	2 Bi-ax	2x2, 23-gauge
EL-2x2-23-2U	2 6" U	2x2, 23-gauge
EL-2x2-23-2UOC	2 Octron U	2x2, 23-gauge
EL-2x2-23-3	3 Bi-pin	2x2, 23-gauge
EL-2x2-23-3BIAX	3 Bi-ax	2x2, 23-gauge
EL-2x2-23-3UOC	3 Octron U	2x2, 23-gauge
EL-2x2-23-4	4 T8 Bi-pin	2x2, 23-gauge
EL-2x4-20-2	2 Bi-pin	2x4, 20-gauge
EL-2x4-20-3	3 Bi-pin	2x4, 20-gauge
EL-2x4-20-4	4 T8 Bi-pin	2x4, 20-gauge
EL-2x4-23-2	2 Bi-pin	2x4, 23-gauge
EL-2x4-23-3	3 Bi-pin	2x4, 23-gauge
EL-2x4-23-4	4 T8 Bi-pin	2x4, 23-gauge