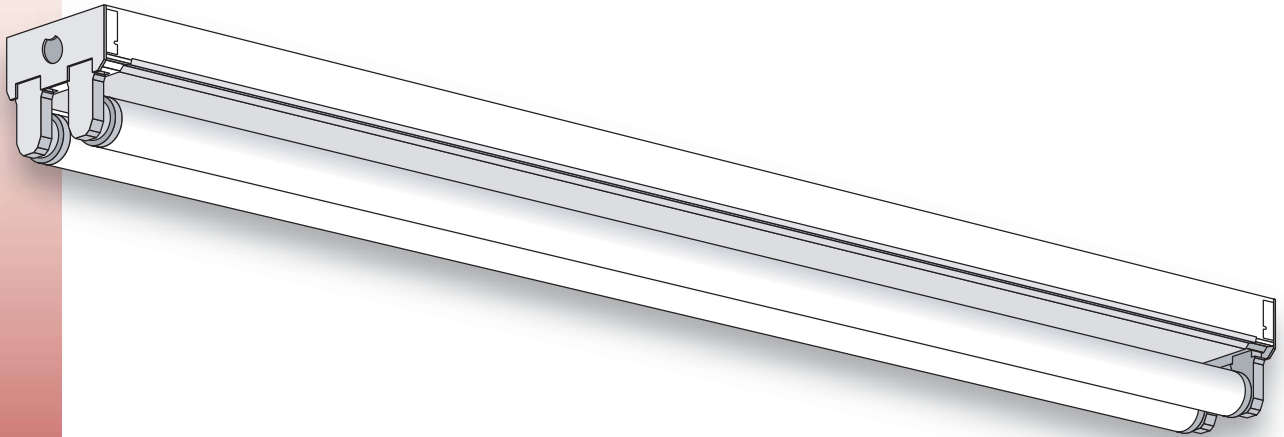
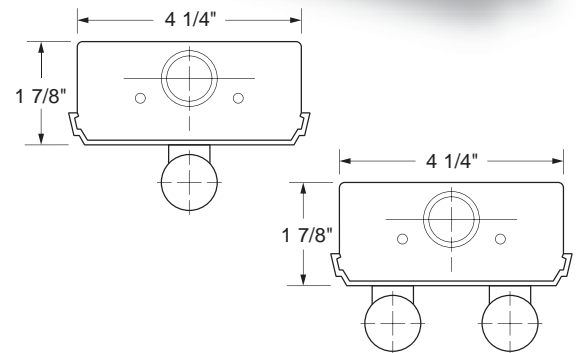


# SEP Shallow Economy Strip



## GENERAL DESCRIPTION

An all-purpose 1- or 2-light economy strip for a wide range of bi-pin and slimline fluorescent lighting applications. All parts snap together for ease of installation and maintenance. Side knockouts are provided for a convenience outlet, a pull switch and conduit. Chain hanger slots are provided on the sides and back.



End Views: SEP Series 1- and 2-Light Models

## SPECIFICATIONS

**Housing:** Die-formed heavy-gauge cold rolled steel.

**Cover:** Snap-on type, fabricated in two sections for 72" and 96" bodies to simplify installation.

**Ends and Socket Plates:** Snap-in type. Ends also function as couplers for continuous row installations.

**Finish:** White polyester polymer with a minimum of 82% reflectivity.

**Mounting:** Designed for surface, stem or chain hanging. Can be installed as individual units or in continuous rows.

## NOTES

Dimensions subject to change without notice.  
This product is an OEM Component Kit requiring final assembly by a qualified OEM fixture manufacturer.

Catalog No.	Lamps	Length	Type
SEP120	1	24"	Bi-pin
SEP130	1	36"	Bi-pin
SEP130TAN	2	72"	Bi-pin
SEP140	1	48"	Bi-pin
SEP140TAN	2	96"	Bi-pin
SEP148	1	48"	Slimline
SEP172	1	72"	Slimline
SEP196	1	96"	Slimline
SEP220	2	24"	Bi-pin
SEP230	2	36"	Bi-pin
SEP230TAN	4	72"	Bi-pin
SEP240	2	48"	Bi-pin
SEP240TAN	4	96"	Bi-pin
SEP248	2	48"	Slimline
SEP272	2	72"	Slimline
SEP296	2	96"	Slimline