

Wall Pack Series

Small Wall Pack PC Lens



WP10

Housing:

Die-cast aluminum housing, 1/2" coin plugs with O-rings for conduit and photocell, textured architectural bronze powdercoat finish over a chromate conversion coating

Reflector:

Aluminum reflector

Lens:

Prismatic polycarbonate hinged diffuser with UV inhibitors and gasket

Socket:

HID: Porcelain 4KV pulse rate medium base socket with nickel-plated screw shell
 PL: Plug-in type, GX24Q-4

Mounting:

Optional cast aluminum mounting plate mounts directly over a 4" recessed outlet box or 1/2" surface conduit.

Wattage:

High Pressure Sodium: 50 to 150w
 Compact Fluorescent: 26, 32, or 42w

Listings & Ratings:

CSA: Listed for wet locations

Kits

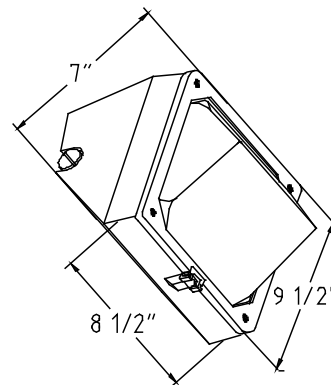
Catalog #	Description
WP10	Small Wall Pack kit for MH/HPS applications
WP10F	Small Wall Pack kit for PL applications

Complete Units (lamps included)

Catalog #	Wattage	Voltage	Lamp	Ballast
WP10H35R120L	35	120	HPS	R-NPF
WP10H50R120L	50	120	HPS	R-NPF
WP10H70R120L	70	120	HPS	R-NPF
WP10H100R120L	100	120	HPS	R-NPF
WP10H150R120L	150	120	HPS	R-NPF
WP10H50DL	50	120/277	HPS	HX-HPF
WP10H70QL	70	Quad	HPS	HX-HPF
WP10H100QL	100	Quad	HPS	HX-HPF
WP10M50DL	50	120/277	MH	HX-HPF
WP10M70QL	70	Quad	MH	HX-HPF
WP10M100QL	100	Quad	MH	HX-HPF
WP10F26EL	1 x 26	120-277	PL	Electronic
WP10F32EL	1 x 32	120-277	PL	Electronic
WP10F42EL	1 x 42	120-277	PL	Electronic

Add: PC1 120V Photocell (Field installed)
 PC2 208-277V Photocell (Field installed)
 Other wattages and custom colors available upon request.

Dimensions

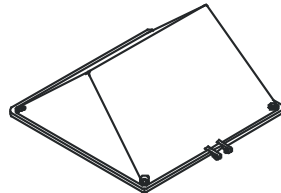


WP10

Catalog #	Description
WP10PC	Prismatic polycarbonate hinged diffuser
WPMP	Die cast wall mount plate with locknut, O-ring & weatherproof gasket

Wall Pack Series

Small Wall Pack PC Lens

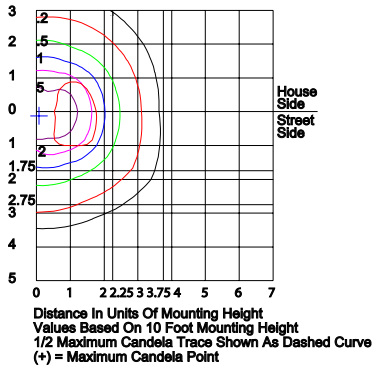


WP10PC



WPMP

Photometrics



WP10M100